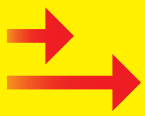


# For securely locking and unlocking, Longer and Stronger latching.

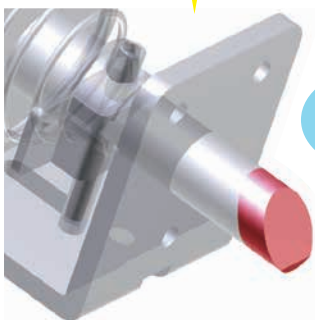
**NEW**



## Solenoid Latch



**Longer  
Latching  
Stroke**



6mm, by 1mm longer latching stroke than TL-259 series. A slight difference enables a range of designs.



**Stronger  
Pull-in  
Force**

**1.96N**



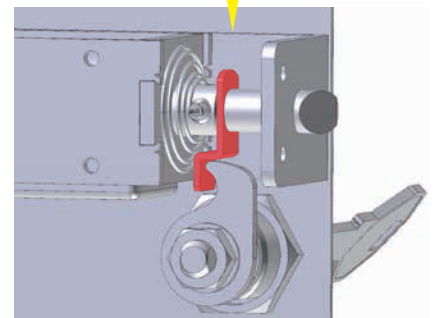
1.7 times stronger.

**3.44N**

Strong force at more than 3.44N pulls in the latch to make the door certainly opening. About 1.7 times stronger than TL-259 series.



**Emergency  
Lock  
available**



Separately sold Emergency Lock is available. Please ask us for selecting suitable one. ※Cam is available as custom-made.

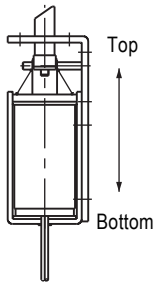
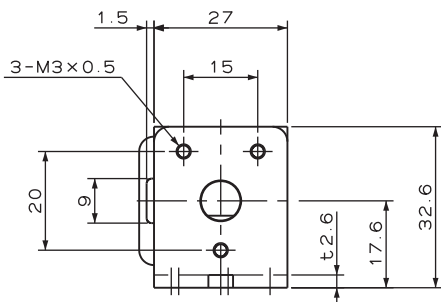
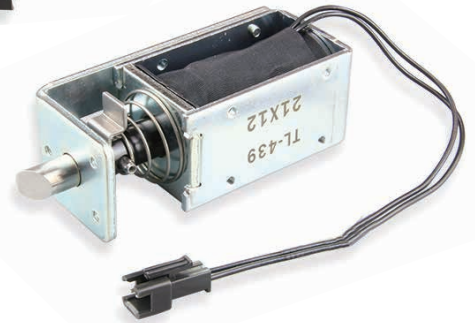
# TL-439

## Solenoid Latch

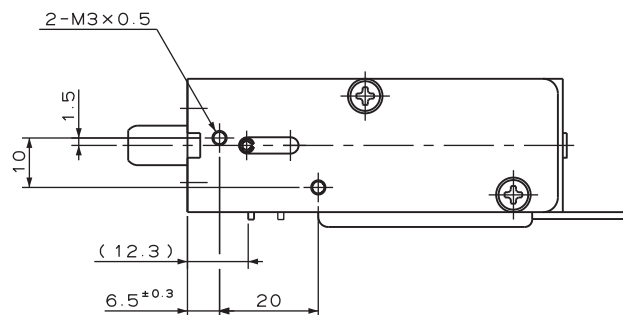
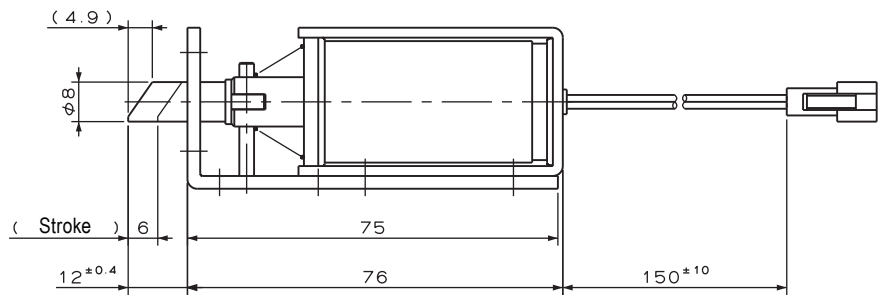


ONLINE SHOP

Model No.	Net Weight(g)
TL-439	248



Unavailable Direction



Please contact us custom-made of another colored, antibacterials and etc.

**TOCHIGIYA** 栃木屋 オンラインショップ

<https://ec.tochigiya.jp/shop/>



栃木屋オンラインショップ

検索

Visit our Online Shop to download CAD data available on desktop.